

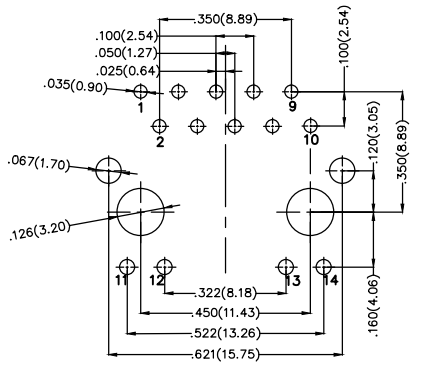
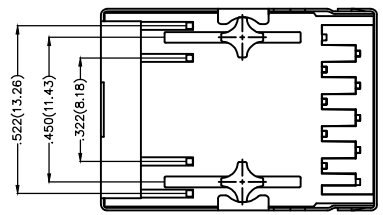
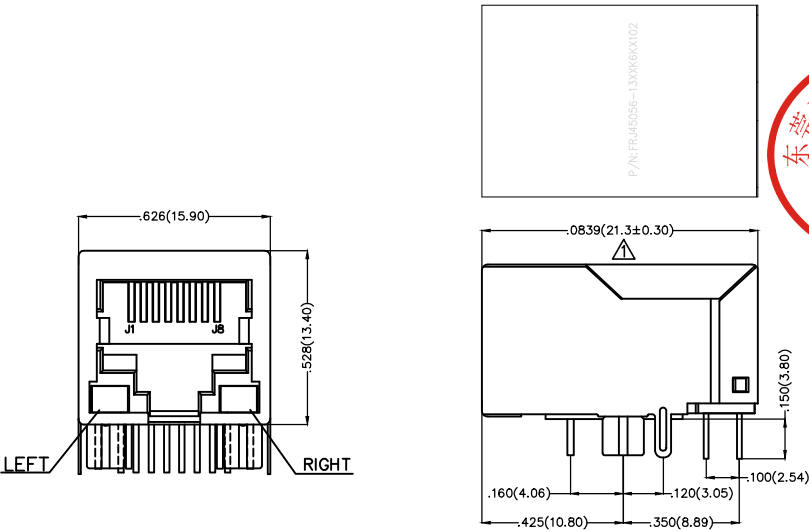
REV	LOCATIONS	DESCRIPTION	DATE	REVISER	APPD
1	△	1. Dimension: Change 21.30 into 21.30mm 2. Part No.: Change FRJ4556 into FRJ45056	01/JUN/18	Vandy	Eric

SPECIFICATIONS

Electrical Performances
 Current Rating: 1.5A AC(rms)/DC
 Voltage Rating: 125V AC(rms)/DC
 Contact Resistance: 30 mΩ Max
 Insulation Resistance: 500 MΩ Min
 Withstanding Voltage: 1000V AC r.m.s
 Operating Temperature: -40°C~+85°C

Mechanical Performances
 Mating/Unmating Force: 30N Max
 Retention Strength: 50N For 60s±5s
 Durability: 750 Cycles Min.

Material and Plating
 Housing: PBT (UL 94V-0)
 Contact: Phosphor Bronze/Selective gold in contact area, matte tin on tail
 Shell: Copper Alloy/Nickel Plated



Recommended P.C.Board Layout

Ordering Information

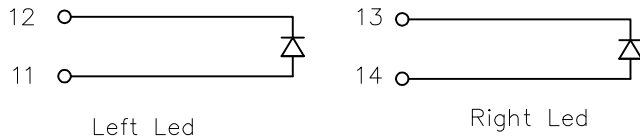
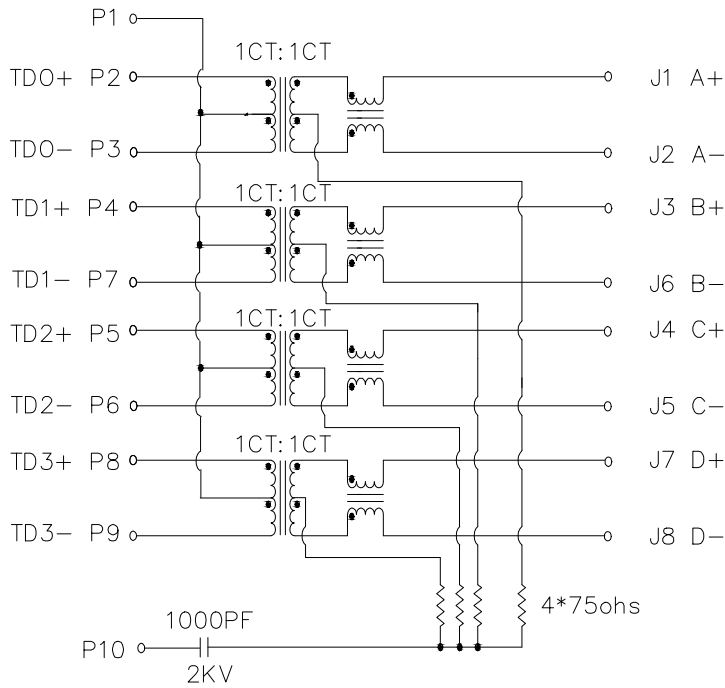
FRJ45 056 - 1 3 XX K6 K X 1 0 2
 1 2 3 4 5 6 7 8 9 10

1 Category FRJ45-RJ45 Connector	2 Distinction No. 056	3 Ports options 1-1 Port	4 Plating 3-Selective gold in contact area, tin on tail	5 Thickness of plating 00-Gold flash 03-3μ" Custom plate available
6 Color-Resin K6-Black	7 Packaging K-Tray	8 LED style 1-L: Yellow R: Green 2-L: Green R: Yellow	9 Contact type 1-Square pin	10 Pin circuits 2-1000Base-T

THIRD ANGLE PROJECTION	GENERAL TOLERANCES (UNLESS SPECIFIED)		APPROVE BY FRANK	DATE 1/AUG/13	PART NO. △ FRJ45056-13XXK6KX102	ITEM NO. FRJ45056	
	DESIGN UNITS Inch (metric)	X.±0.012(0.30) X.X±0.008(0.20) X.XX±0.006(0.15) X.XXX±0.004(0.10)	X.'±5" .X'±2" .XX'±1" .XXX'±0.5"	CHECKED BY CHERRY	DATE 1/AUG/13	TITLE RJ45 Connector 10P8C 90°Angle(1000Base-T)	
SCALE 5:1	SIZE A4	DRAWN BY JACOB		DATE 1/AUG/13	THIS DRAWING CONTAINS INFORMATION THAT IS PROPRIETARY TO DONG GUAN LANG LUN(3K-KAMING) ELECTRONIC PRODUCTS CO.,LTD. AND SHOULD NOT BE USED WITHOUT WRITTEN PERMISSION		

REV	LOCATIONS	DESCRIPTION	DATE	REVISER	APPD
1					

PCB Side



ELECTRICAL SPECIFICATION

TURN RATIO

1.SECONDARY: PRIMARY=1CT:1CAT ±3%

OCL: 350uH min, 8mA DC bias current

INSERTION LOSS: 1-100MHZ-1.0dB max

RETURN LOSS:

1MHZ TO 10MHZ: -18dB min

10MHZ TO 30MHZ: -16dB min

30MHZ TO 60MHZ: -14dB min

60MHZ TO 80MHZ: -12dB min

80MHZ TO 100MHZ: -10dB min

CROSS TALK:

1MHZ TO 100MHZ: -35dB min

COMMON MODE REJECTION:

1-100MHZ TO 100MHZ: -35dB min

HIPOT: 1200V AC 1mA 1S

CAPACITOR: 1000pF ±20% 2KV

RESISTENCE: 750HMS±5%

RESISTANCE OF COIL: 1.8HMS max, 0.250HMS min



 THIRD ANGLE PROJECTION	GENERAL TOLERANCES (UNLESS SPECIFIED)		APPROVE BY FRANK	DATE 1/SEPT/13	PART NO. FRJ45056-13XXK6KX102	ITEM NO. FRJ45056	 3K-KAMING®
	DESIGN UNITS Inch (metric)	X.X±0.012(0.30)	X.±5'	CHECKED BY CHERRY	DATE 1/SEPT/13	TITLE RJ45 Connector 10P8C 90°Angle(1000Base-T)	
SCALE 5:1	SIZE A4	X.XX±.006(0.15)	.XX±1'	DRAWN BY JACOB	DATE 1/SEPT/13	REV 1	SHEET NO. 2/2
THIS DRAWING CONTAINS INFORMATION THAT IS PROPRIETARY TO DONG GUAN LANG LUN(3K-KAMING) ELECTRONIC PRODUCTS CO.,LTD. AND SHOULD NOT BE USED WITHOUT WRITTEN PERMISSION							