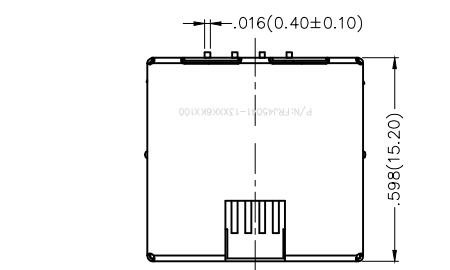
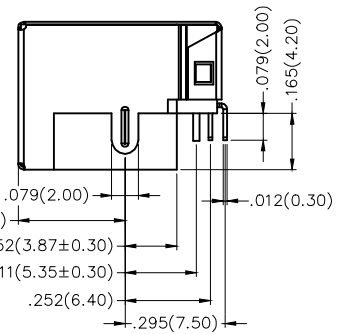
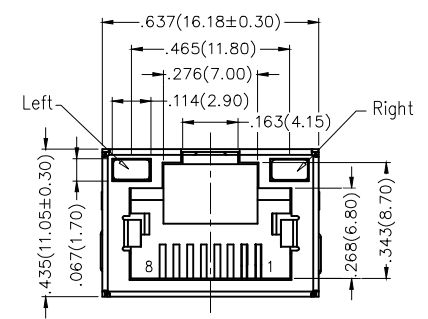


REV	LOCATIONS	DESCRIPTION	DATE	REVISER	APPD
1	△	Part No.: Change FRJ45113 into FRJ45041	31/MAY/18	KATE	ERIC



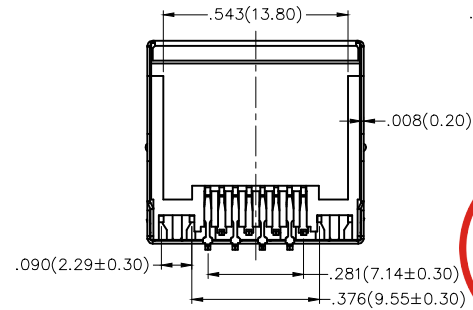
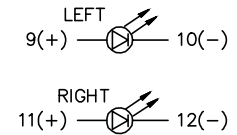
SPECIFICATIONS

Electrical
 Current Rating: 1.5A AC(rms)/DC
 Voltage Rating: 125V AC(rms)/DC
 Contact Resistance: 40 mΩ Max
 Insulation Resistance: 500 MΩ Min / DC 500V
 Withstanding Voltage: 1000V AC r.m.s
 Operating Temperature: -20°C~+75°C



Material and Plating

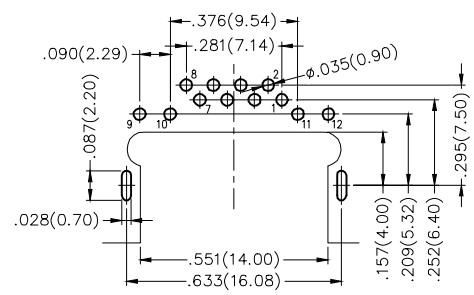
Housing: LCP (UL 94V-0), Black
 Contact: Phosphor Bronze/Gold Plated/Selective gold in contact area, tin on tail
 Shell: Brass/Nickel Plated



Ordering Information

FRJ45 041 - 1 3 XX K6 K X 1 0 0
 1 2 3 4 5 6 7 8 9

1	2	3	4	5	6	7	8	9
Category	Distinction No.	Ports options	Plating	Thickness of plating	Color-Resin	Packaging	LED style	Contact type
FRJ45-RJ45 Connector	041	1-1 Port	3-Selective gold in contact area, tin on tail	00-Gold flash 02-2μ" Custom plate available	K6-Black	K-Tray	1-L: Yellow R: Green 2-L: Green R: Yellow	1-Square pin



Recommended P.C.Board Layout

 THIRD ANGLE PROJECTION	GENERAL TOLERANCES (UNLESS SPECIFIED)		APPROVE BY	DATE	PART NO. △	ITEM NO.	 3K-KAMING
	X.±.012(0.30)	X.±5'	FRANK	18/JUN/13	FRJ45041-13XXK6KX100	FRJ45041	
DESIGN UNITS Inch (metric)	X.X±.008(0.20)	X.±2'	CHECKED BY	DATE	TITLE		REV 1
SCALE	X.XX±.006(0.15)	.XX±1'	CHERRY	18/JUN/13	RJ45 Connectors 8P8C 90°Angle		SHEET NO. 1/1
5:1	X.XXX±.004(0.10)	.XXX±0.5'	DRAWN BY	DATE	THIS DRAWING CONTAINS INFORMATION THAT IS PROPRIETARY TO DONG GUAN LANG LUN(3K-KAMING) ELECTRONIC PRODUCTS CO.,LTD. AND SHOULD NOT BE USED WITHOUT WRITTEN PERMISSION.		
A4			KATE	18/JUN/13			