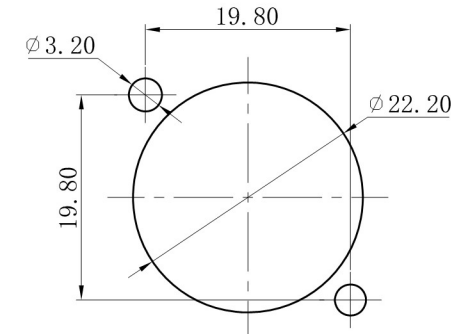
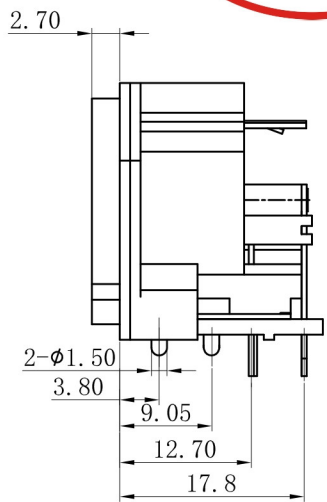
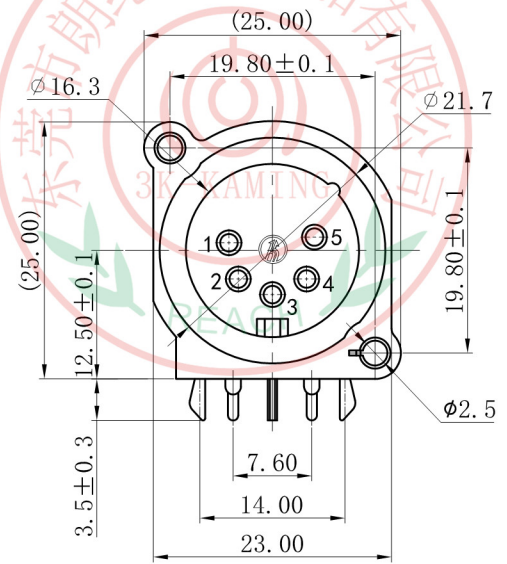
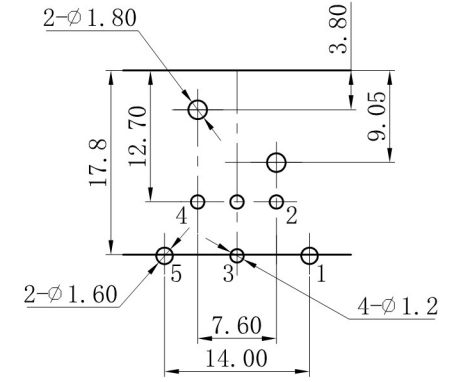


ALLOWANCE	
UNDER 3	±0.1
3 TO 6	±0.15
6 TO 15	+0.2
15 TO 50	+0.25
50 OVER	+0.3




PANEL CUT OUT



PCB LAYOUT  
TOP VIEW



MODEL NO: SPM5-23C	ALLOWANCE:	DRAWN BY:
TYPE: SP SOCKET	UNIT: mm	CHECKED BY:
MATERIAL NO:	SCALE:	APPROVED BY:
PROJECTION 		<b>东莞市朗纶电子制品有限公司</b> Dongguan langlun electronic products Co., Ltd