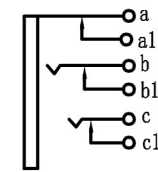
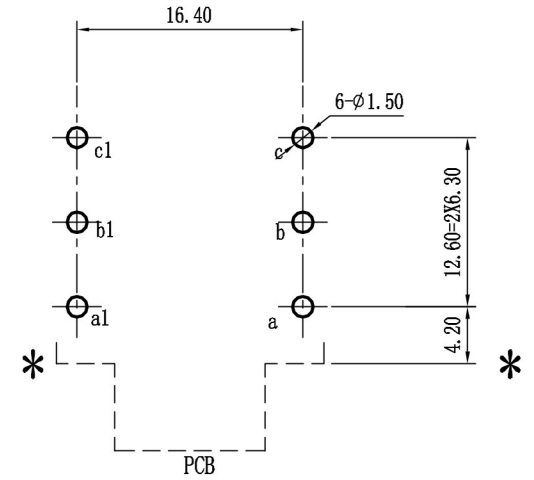
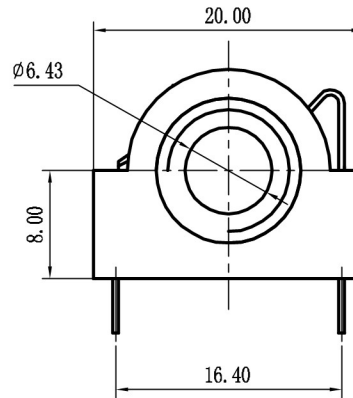
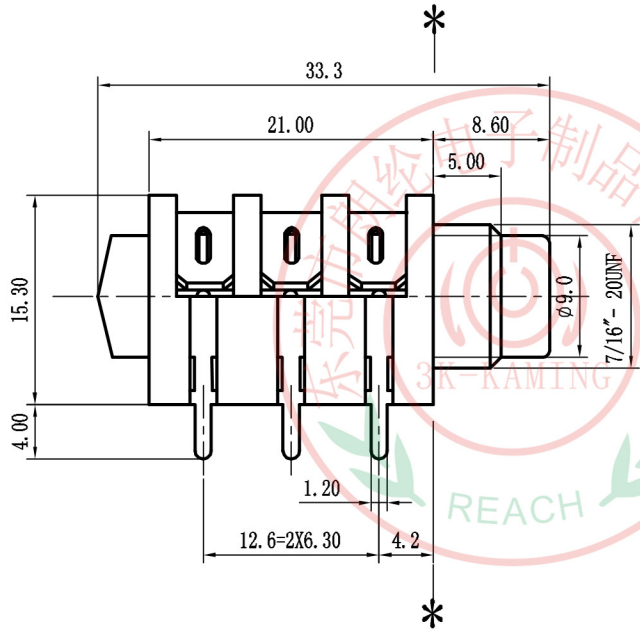




ALLOWANCE	
UNDER 3	±0.1
3 TO 6	+0.15
6 TO 15	+0.2
15 TO 50	+0.25
50 OVER	+0.3



SCHEMATIC

MODEL NO: SJ6309C-6P	ALLOWANCE:	DRAWN BY:
TYPE: 6.35 PHONE JACK	UNIT: mm	CHECKED BY:
MATERIAL NO:	SCALE:	APPROVED BY:
PROJECTION		